






# PRESTIGE®

Installation Manual

## IL-D Model

Inline Blower



				
Note	Warning / Important note	Information	Technical information	Practical tip



1. The compactness and adaptability of the fans permit easy installation. The fans are shipped fully assembled and can be mounted at any angle. For various mounting, see figures on the following page.
2. Because this unit has rotating parts, safety precautions should be exercised during all phases of installation, operation and maintenance.
3. CAUTION "For General Ventilation Use Only. Do Not Use To Exhaust Hazardous Or Explosive Material and Vapors."
4. Remove unit from package and inspect within 15 days after receipt. If damaged, report damage to carrier. Do Not operate this unit with visible damage to the blower or impeller assembly.
5. CAUTION "This unit has an unguarded impeller. Do not use in locations readily accessible to people or animals".

WEAR HAND PROTECTION AND STAY CLEAR OF SHARP EDGES!

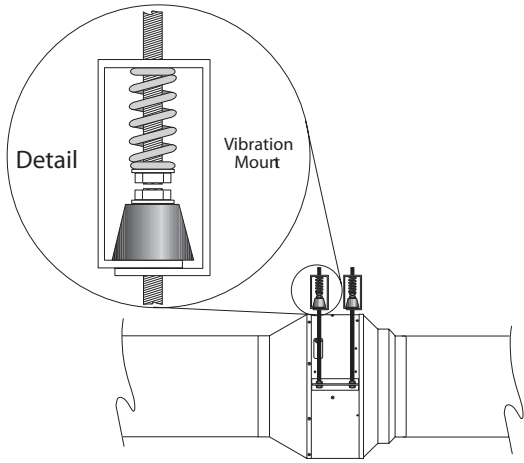
6. Screen guards must be installed within reach of personnel, within (7) feet of the working area, or when advisable for safety.
7. PLEASE read the entire manual before installing.

## WARNINGS

DO NOT CONNECT POWER SUPPLY until fan is completely installed. Make sure electrical service to the fan is in the locked "OFF" position.

1. All fans are suitable for use with solid-state speed control. Three phase units must be wired through a motor contactor.
2. WARNING! TO REDUCE THE RISK OF FIRE, ELECTRIC SHOCK, OR INJURY TO PERSONS - OBSERVE THE FOLLOWING:
  - a. Use this unit in the manner intended by the manufacturer. If you have any questions, contact your manufacturer's representative or contact us directly.
  - b. CAUTION: Before installation, servicing or cleaning unit, switch power off at service panel and lock the service disconnection means to prevent power from being switched on accidentally. When the service disconnection means cannot be locked, securely fasten a prominent warning device, such as tag, to the panel.
  - c. Installation work and electrical wiring must be done by qualified person(s) in accordance with all applicable codes and standards, including fire-rated construction.
  - d. Sufficient air is needed for proper combustion and exhausting of gases through the flue (chimney) of fuel burning equipment to prevent back drafting. Follow the heating equipment manufacturer's guideline and safety standards such as those published by the National Fire Association (NFPA), and the American Society for Heating, Refrigeration and Air-Conditioning Engineers (ASHRAE), and the local code authorities.
  - e. When cutting or drilling into wall and ceiling, do not damage electrical wiring and other hidden utilities.
  - f. Ducted fans must always be vented to the outdoors.
  - g. If this unit is to be installed over a tub or shower, it must be marked as appropriate for the application and be connected to a GFCI (Ground Fault Circuit Interrupter) - protected branch circuit.
  - h. NEVER place a switch where it can be reached from a tub or shower.
3. WARNING! Check voltage at the fan to see if it corresponds to the motor name plate.

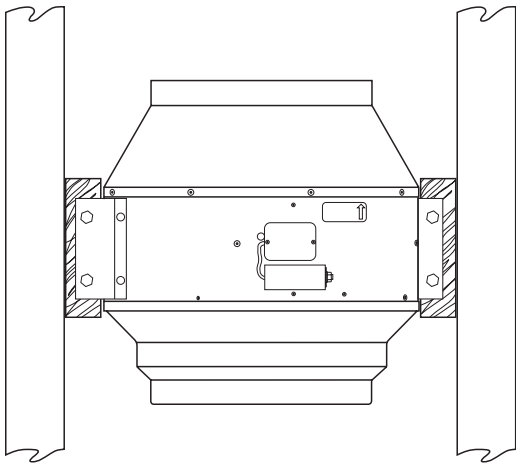
## MOUNTING ILLUSTRATION 1



Please follow all applicable codes when installing this unit

1. Equipment should be hung at its proper elevation by using temporary fixtures that can be removed after vibration hangers are installed. (Vibration isolation mounts provided by others)
2. Hanger may be fastened directly to the structure or somewhere between suspended unit (be sure not to over tighten the neoprene element).
3. Install hangers.
4. Turn nuts on rod assembly clockwise one complete turn on each hanger. Repeat this procedure until temporary hanging fixtures are loose and load of piping or equipment is suspended completely on the vibration hangers.
5. Remove temporary hanger fixtures and level piping or equipment by taking additional turns on the spring/top hanger rod nut – clockwise to raise, counterclockwise to lower as required.
6. If equipping fan with isolators, they should be attached at this time.
7. See wiring section to complete installation.

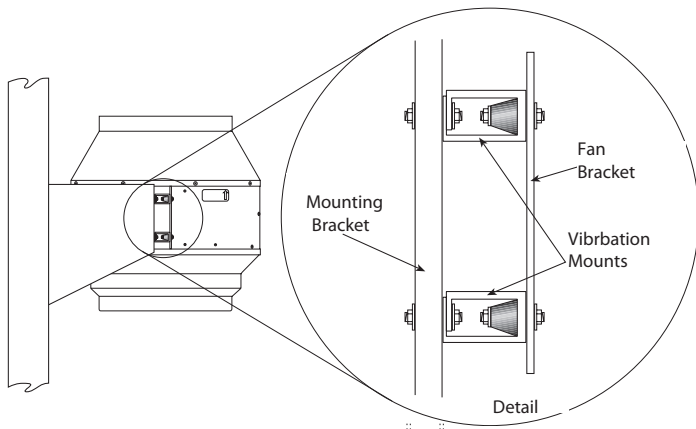
## MOUNTING ILLUSTRATION 2



Please follow all applicable codes when installing this unit

1. Install wood supports to structure for fan mounting.
2. If equipping with vibration mounts, attach to supports.
3. Attach fan to vibration mounts, supplied by others (be sure not to over tighten the neoprene element).
4. If equipping fan with isolators (Clamps), they should be attached at this time.
5. See wiring section to complete installation.

## MOUNTING ILLUSTRATION 3



Please follow all applicable codes when installing this unit

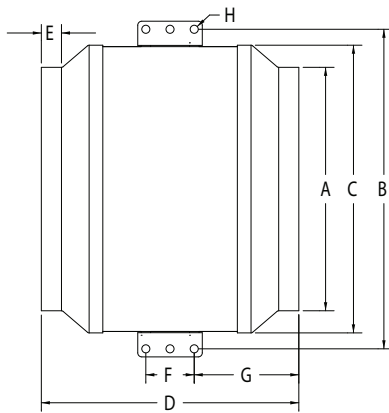
1. Create/Install angle wood supports to structure for fan mounting.
2. If equipping with vibration mounts, attach to supports.
3. Attach fan to vibration mounts, supplied by others (be sure not to overtighten the neoprene element).
4. If equipping fan with isolators (Clamps), they should be attached at this time.
5. See wiring section to complete installation.



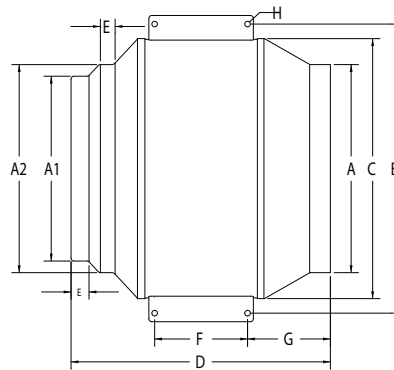
Vibration Mounts and Hardware are not supplied with fan. FC Clamps are sold separately.

# DIMENSIONS AND WIRING

IL1000-10D / IL1200-10D



IL1600-10D / IL2000-12D

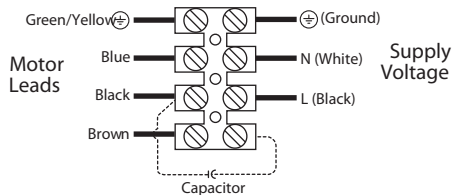


Model	A	A1	A2	B	C	D	E	F	G	H	Weight
IL1000-10D	10	-	-	15 5/8	14	15	3/4	2 3/8	6 3/8	3/8	21
IL1200-10D	10	-	-	15 5/8	14	15	3/4	2 3/8	6 3/8	3/8	21
IL1600-10D	12	12	14	20 1/4	17 7/8	18 7/8	7/8	4	8 3/4	3/8	38
IL2000-12D	12	12	14	20 1/4	17 7/8	18 7/8	7/8	4	8 3/4	3/8	38

All dimensions are in inches and weights are in pounds

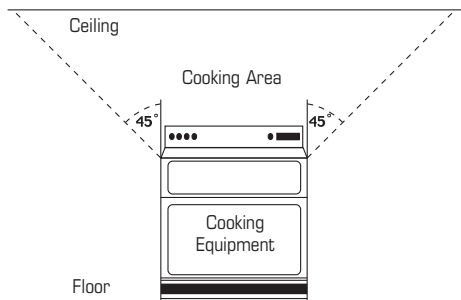
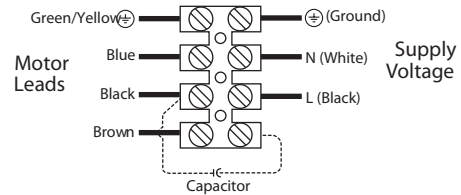
IL1000-10D / IL1200-10D

120 V 60hz 4.48A



IL1600-10D / IL2000-12D

120 V 60hz 4.80A



For installations in which the fan is connected to a range hood, or if an exhaust grill connected to the fan is located above or near the cooking surface, as shown, be sure to observe the following safety warning:

**WARNING**

**TO REDUCE THE RISK OF FIRE, USE ONLY METAL DUCTWORK.**

(Use only galvanized steel ductwork)

Use only galvanized steel ductwork in accordance with all applicable codes.

(Note: If the fan is not connected to a range hood, or a grill in the vicinity of the cooking surface, other approved ducting may be used. Check your local codes.)

**WARNING**

**TO REDUCE THE RISK OF A RANGE TOP GREASE FIRE:**

- A. Never leave surface units unattended at high settings. Boilovers cause smoking and greasy spillovers that may ignite. Heat oils slowly on low or medium settings.
- B. Always turn hood ON when cooking at high heat or when flambing food (i.e. Crepes Suzette, Cherries Jubilee, Peppercorn Beef Flambé’).
- C. Clean ventilating fans frequently. Grease should not be allowed to accumulate on fan or filter.
- D. Use proper pan size. Always use cookware appropriate for the size of the surface element.

**WARNING**

**TO REDUCE THE RISK OF INJURY TO PERSONS IN THE EVENT OF A RANGE TOP GREASE FIRE, OBSERVE THE FOLLOWING:**

- A. SMOTHER FLAMES with a close-fitting lid, cookie sheet, or metal tray, then turn off the burner. **BE CAREFUL TO PREVENT BURNS.** If the flames do not go out immediately, **EVACUATE AND CALL THE FIRE DEPARTMENT.**
- B. **NEVER PICK UP A FLAMING PAN** – You may be burned
- C. **DO NOT USE WATER**, including wet dishcloths or towels – a violent steam explosion will result.
- D. Use an extinguisher **ONLY** if:
  - 1. You know you have a Class ABC extinguisher, and you already know how to operate it.
  - 2. The fire is small and contained in the area where it started.
  - 3. The fire department is being called.
  - 4. You can fight the fire with your back to an exit.